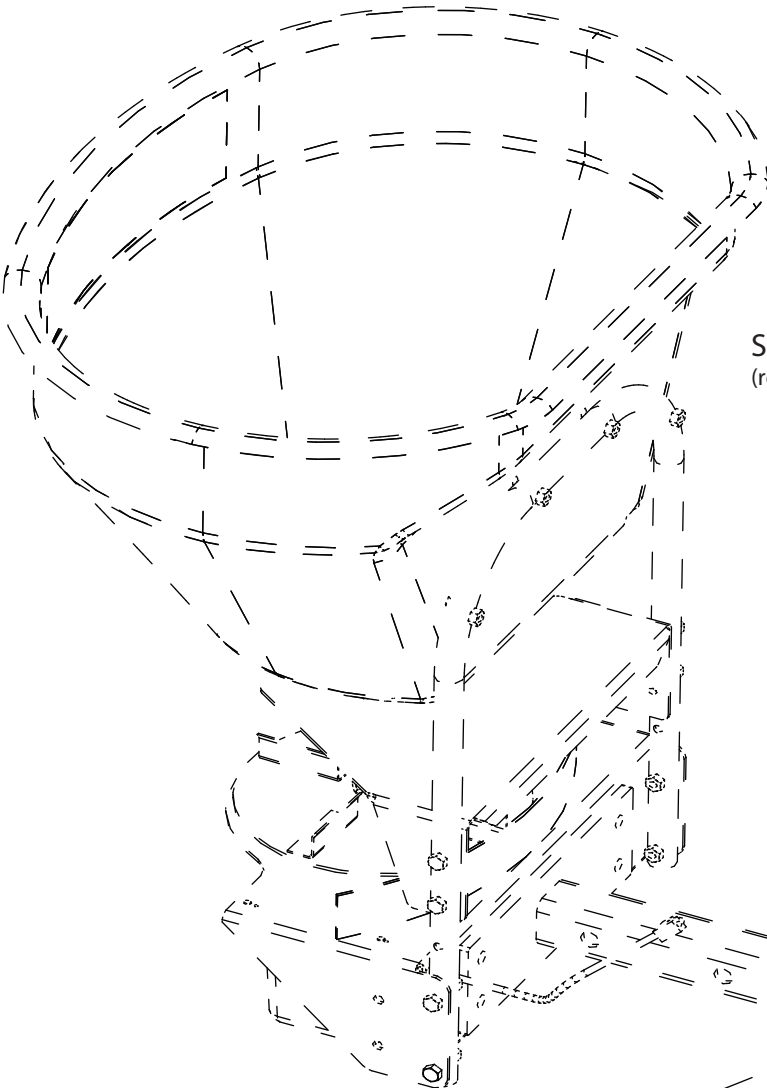


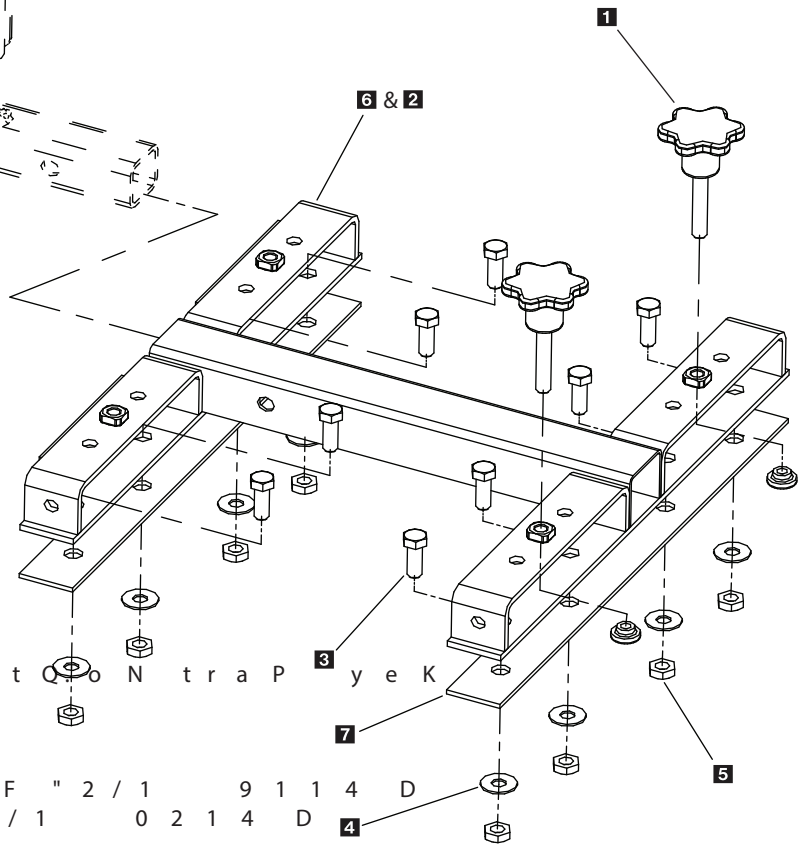


# Utility Mount Parts Breakdown

Model #UTM/FLM-175



Spreader  
 (reference only)



Maximum Load Weight  
 Not To Exceed 240 lbs. Gross

n o i t p i r c s e . D t Q u o N t r a P y e K			
<b>1</b>	D 4315	Lock Knob Assembly (FLM-175 Only)	2
<b>2</b>	D 6426	Fork Lift Mount Frame (FLM)	1
<b>3</b>	D 4116	1/2"-13 x 1 1/2" Hex Bolt	8
<b>4</b>		r e h s a W t a l F " 2 / 1 9 1 1 4 D	
<b>5</b>		t u N k c o L 8 ' 2 / 1 0 2 1 4 D	
<b>6</b>	8	Utility Receiver (UTM)	1
<b>7</b>	D 6235	Underbody Support Plate	2